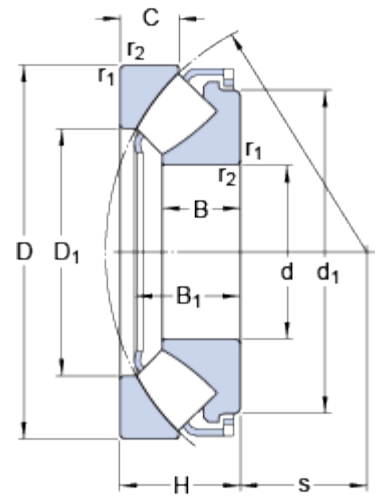


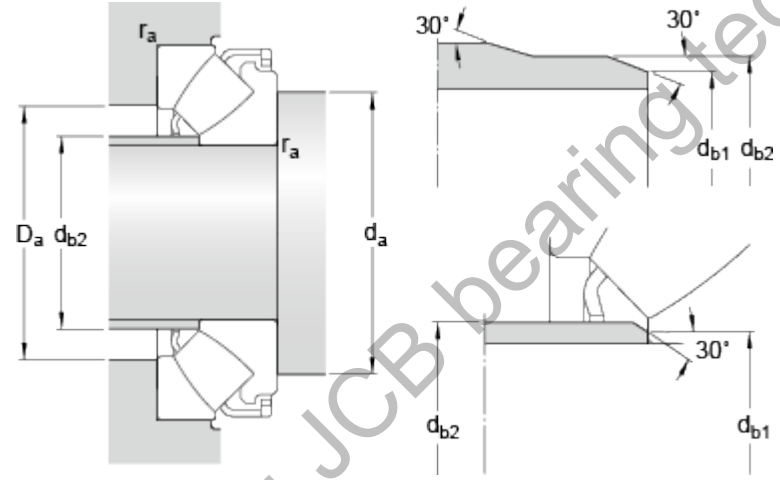
29364

Dimensions



d	320	mm
D	500	mm
H	109	mm
d ₁	≈ 454	mm
D ₁	≈ 391	mm
B	68	mm
B ₁	97.8	mm
C	53	mm
s	180	mm
r _{1,2}	min. 5	mm

Abutment dimensions



d _a	min. 405	mm
d _{b1}	max. 332	mm
d _{b2}	max. 347	mm
D _a	max. 442	mm
r _a	max. 4	mm

Calculation data

Basic dynamic load rating	C	3350	kN
Basic static load rating	C ₀	11200	kN
Fatigue load limit	P _u	1000	kN
Reference speed		750	r/min
Limiting speed		1200	r/min
Minimum axial load factor	A	12	

Mass

Mass bearing		78	kg
--------------	--	----	----